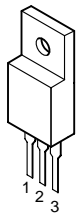
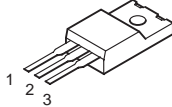
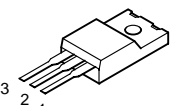
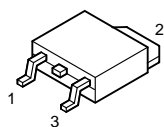


■ CIRCUIT DIAGRAMS

■ CONTENTS

CIRCUIT DIAGRAM 1/9 (IN8/IN16 1/2)	C1
CIRCUIT DIAGRAM 2/9 (IN8/IN16 2/2)	C2
CIRCUIT DIAGRAM 3/9 (MAS 1/4)	C3
CIRCUIT DIAGRAM 4/9 (MAS 2/4)	C4
CIRCUIT DIAGRAM 5/9 (MAS 3/4)	C5
CIRCUIT DIAGRAM 6/9 (MAS 4/4)	C6
CIRCUIT DIAGRAM 7/9 (DSP-SPX)	C7
CIRCUIT DIAGRAM 8/9 (SMPS 1/2, SMPS 2/2)	C8
CIRCUIT DIAGRAM 9/9 (PWR)	C9

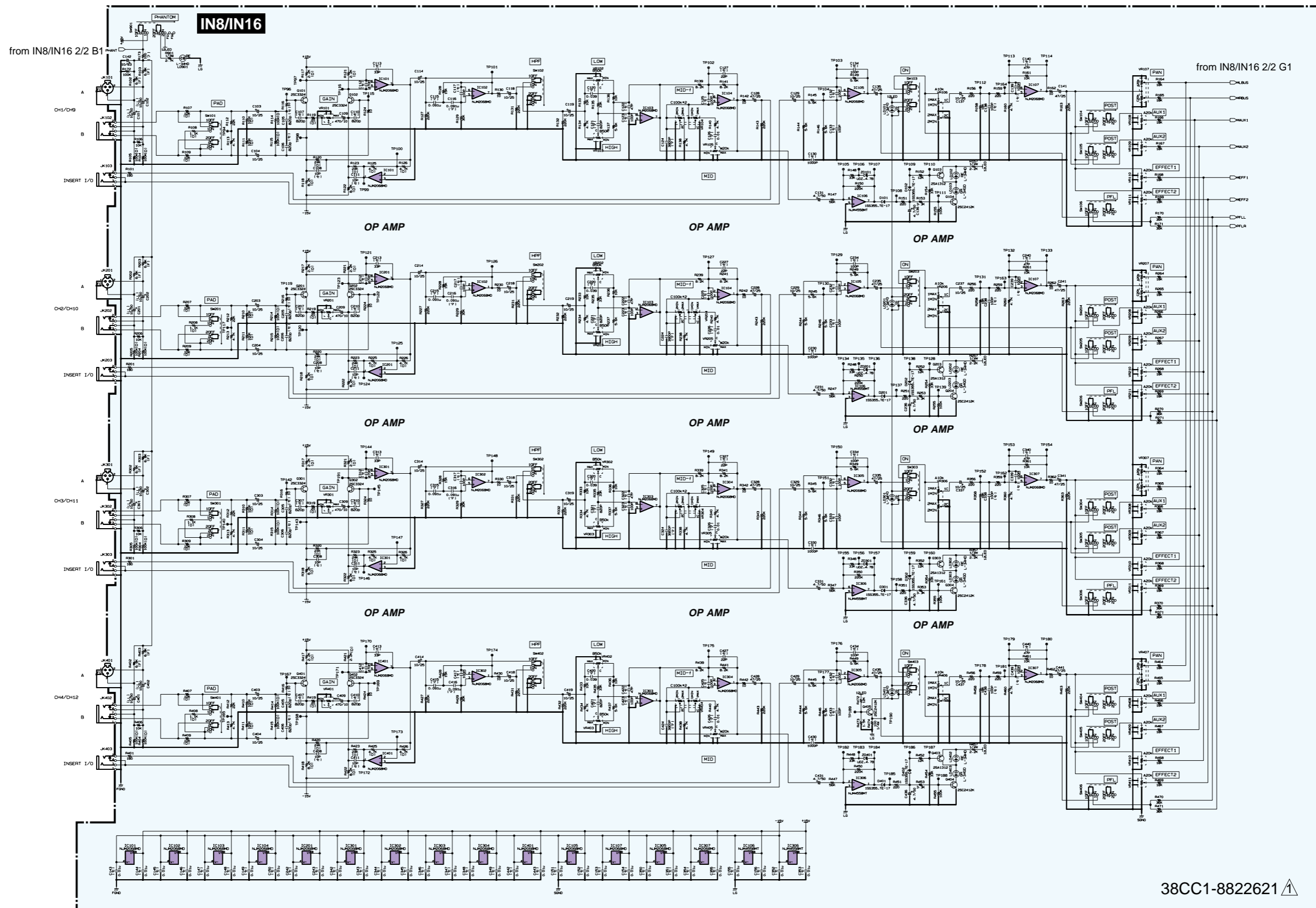
<p>•NJM7805FA (XJ607A00) REGULATOR +5V</p>  <p>1: OUTPUT 2: COMMON 3: INPUT</p>	<p>•NJM7812FA (XJ608A00) REGULATOR +12V •NJM7815FA (XD853A00) REGULATOR +15V</p>  <p>1: INPUT 2: GND 3: OUTPUT</p>
<p>•NJM7915FA (XD854A00) REGULATOR -15V</p>  <p>1: OUTPUT 2: COMMON 3: INPUT</p>	<p>•UPC29M33T-E1 (XU965A00) REGULATOR +3.3V</p>  <p>1: V IN 2: GND 3: OUTPUT</p>

- (マイカ) : Myca Capacitor
 (セ) : Ceramic Capacitor
 (マ) : Mylar Capacitor
 (F) : Metal Film Resistor
 (金被) : Metal Film Resistor
 規格認定コン : Capacitor
 (フ) : Electrolytic Capacitor
 酸金 : Oxide Film Resistor
 (FP) : Flame Proof C.Resistor
 セメント抵抗 : Wire Wound Resistor

Note : See parts list for details of circuit board component parts.

EMX5000-12/20 CIRCUIT DIAGRAM 1/9 (IN8/IN16 1/2)

EMX5000-12/20



38CC1-8822621

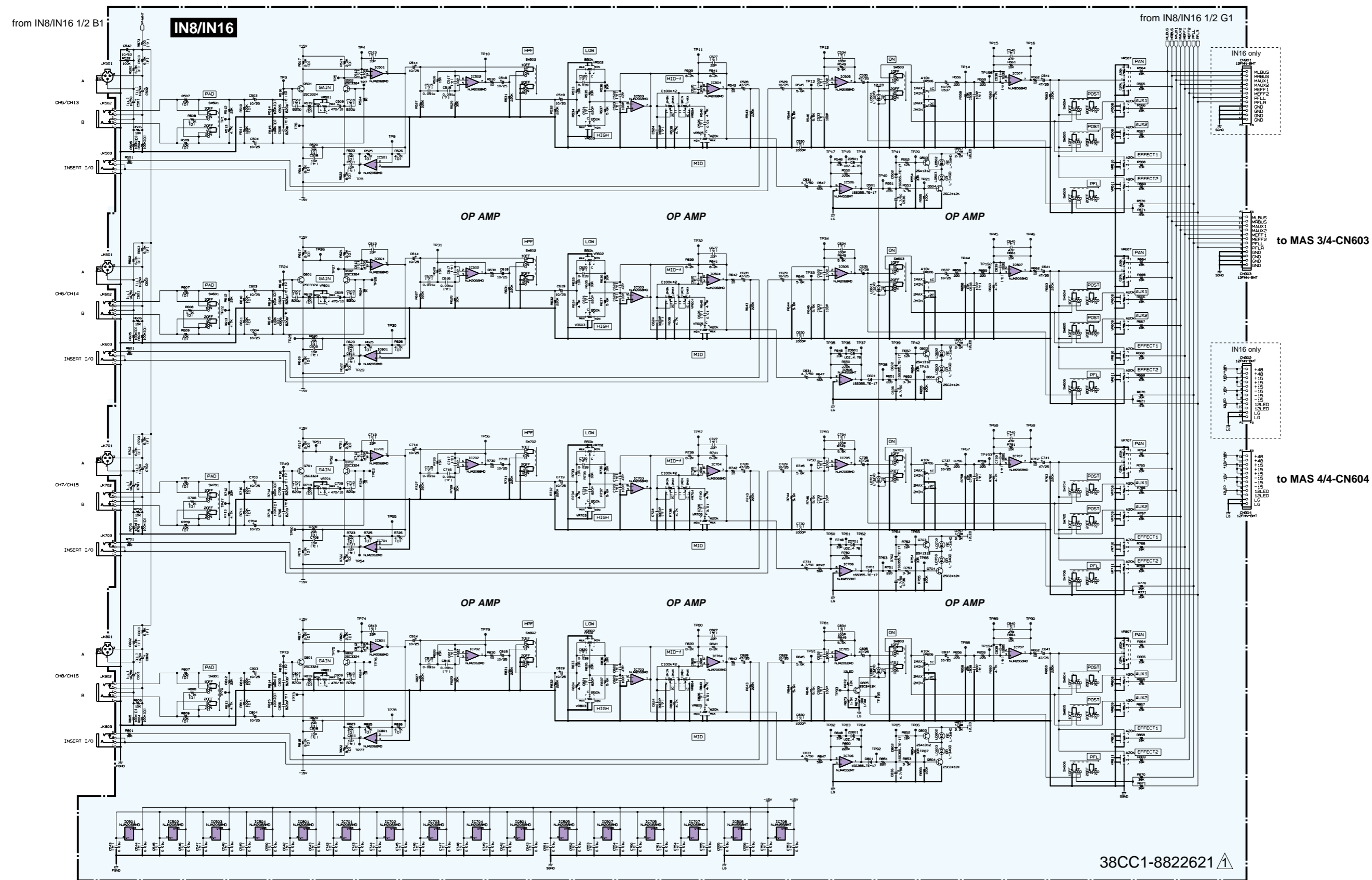
EMX5000-12/20

EMX5000-12/20

C1

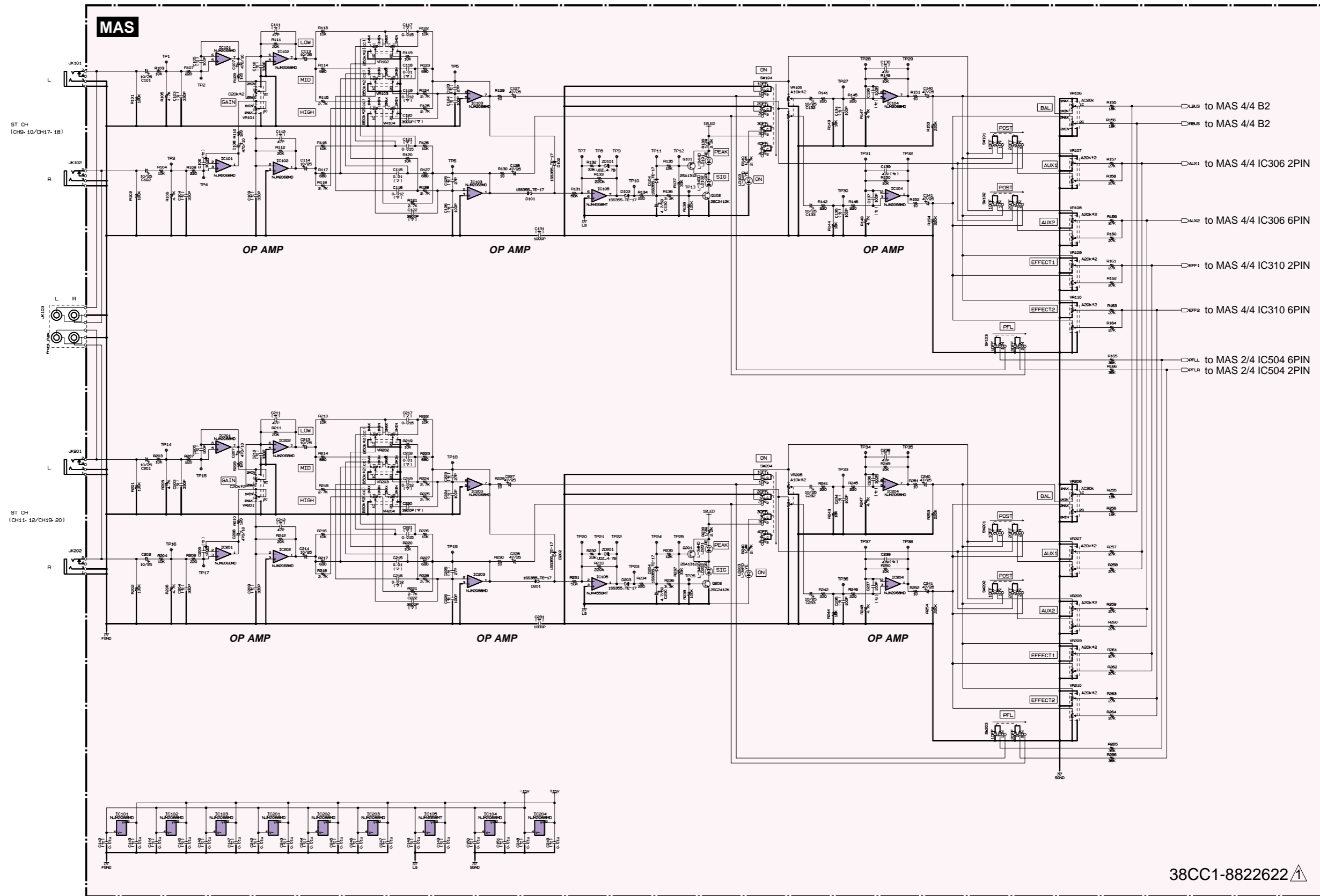
EMX5000-12/20 CIRCUIT DIAGRAM 2/9 (IN8/IN16 2/2)

EMX5000-12/20



EMX5000-12/20 CIRCUIT DIAGRAM 3/9 (MAS 1/4)

EMX5000-12/20



ST CH (CH9: 10/CH17: 18)

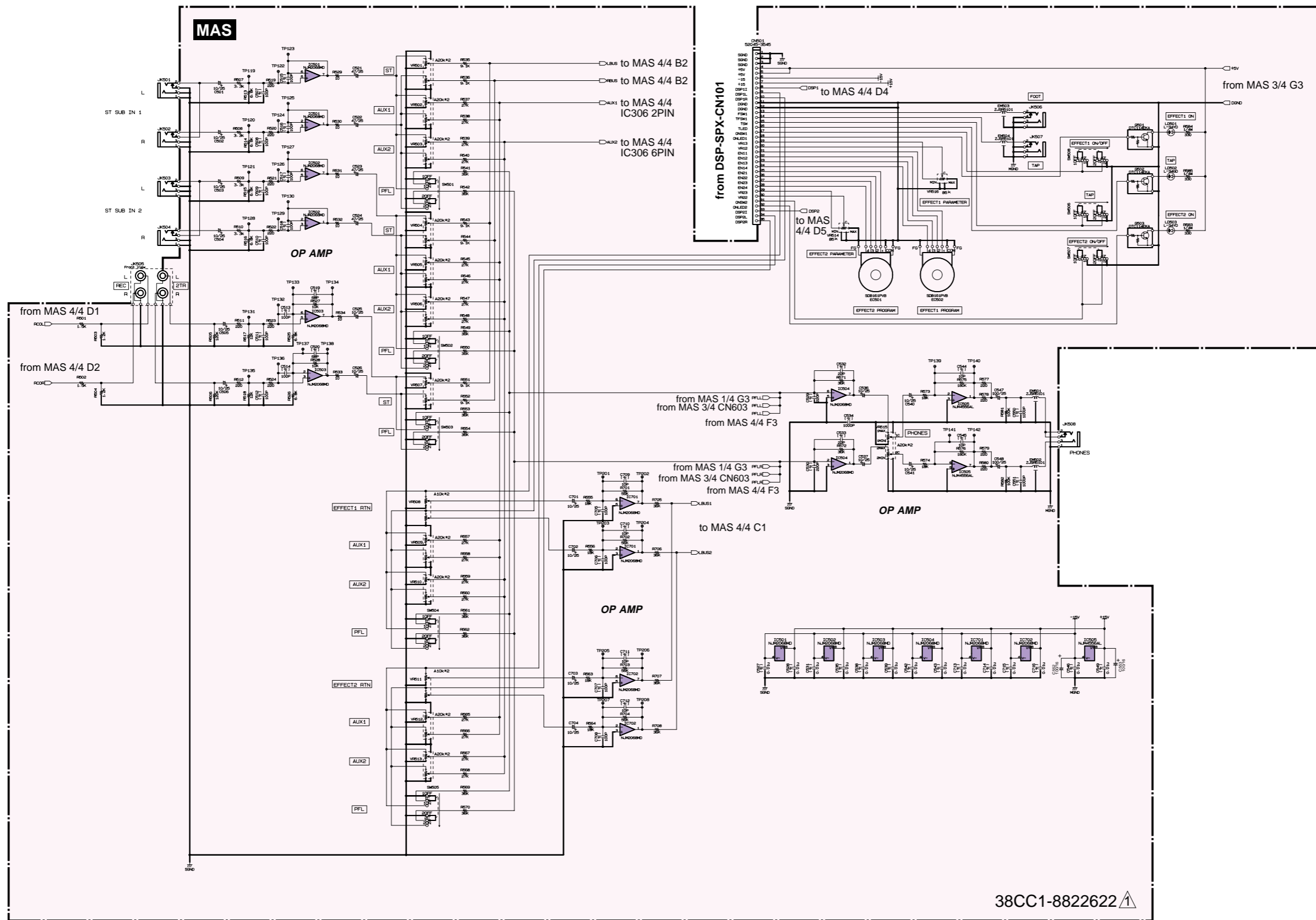
ST CH (CH11: 12/CH19: 20)

- AUX1 to MAS 4/4 B2
- AUX2 to MAS 4/4 B2
- AUX1 to MAS 4/4 IC306 2PIN
- AUX2 to MAS 4/4 IC306 6PIN
- EFF1 to MAS 4/4 IC310 2PIN
- EFF2 to MAS 4/4 IC310 6PIN
- PFL to MAS 2/4 IC504 6PIN
- PFL to MAS 2/4 IC504 2PIN

38CC1-8822622

EMX5000-12/20 CIRCUIT DIAGRAM 4/9 (MAS 2/4)

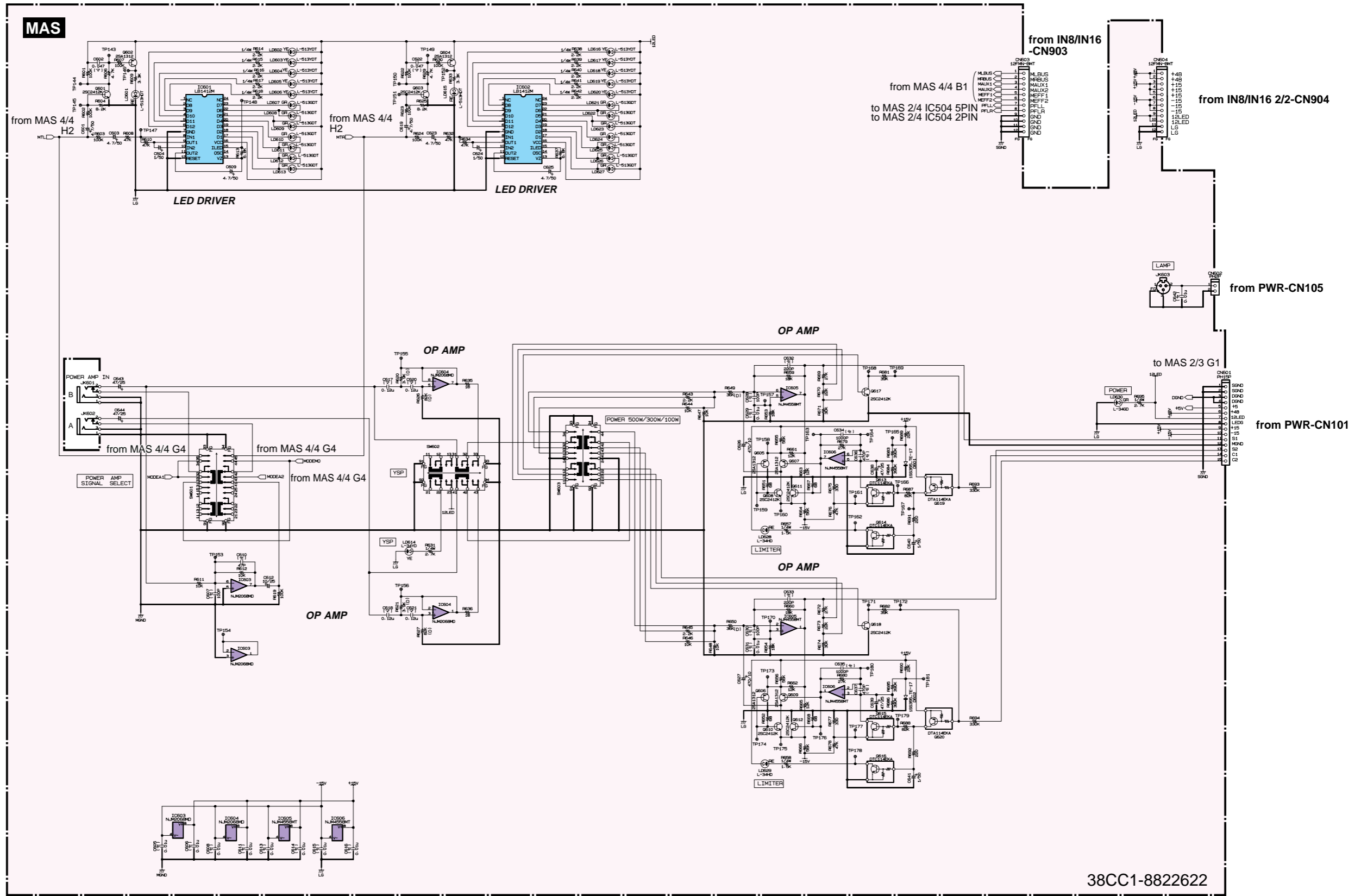
EMX5000-12/20



38CC1-8822622

EMX5000-12/20 CIRCUIT DIAGRAM 5/9 (MAS 3/4)

EMX5000-12/20

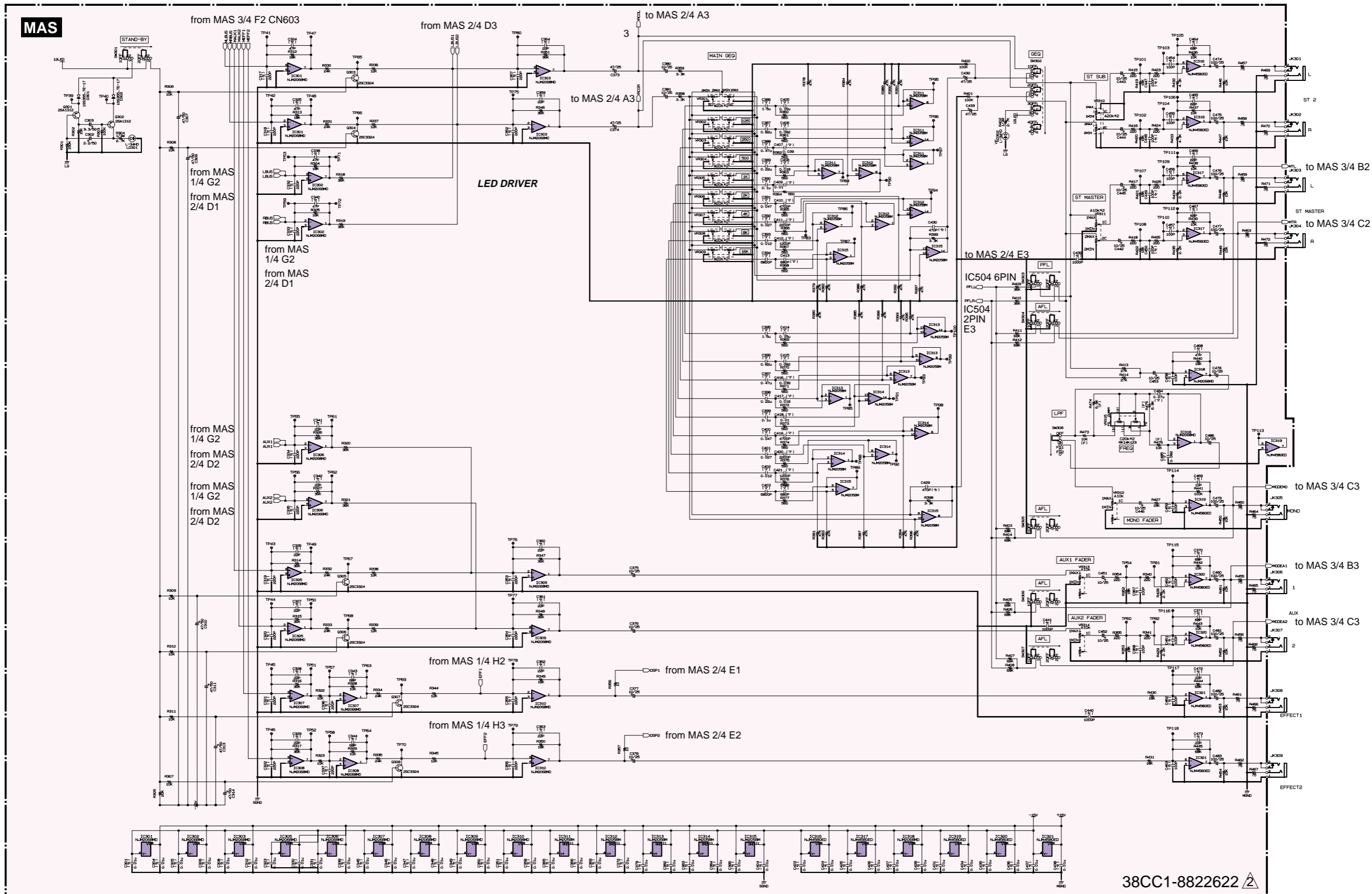


EMX5000-12/20

EMX5000-12/20

38CC1-8822622

EMX5000-12/20 CIRCUIT DIAGRAM 6/9 (MAS 4/4)



38CC1-8822622

1

2

3

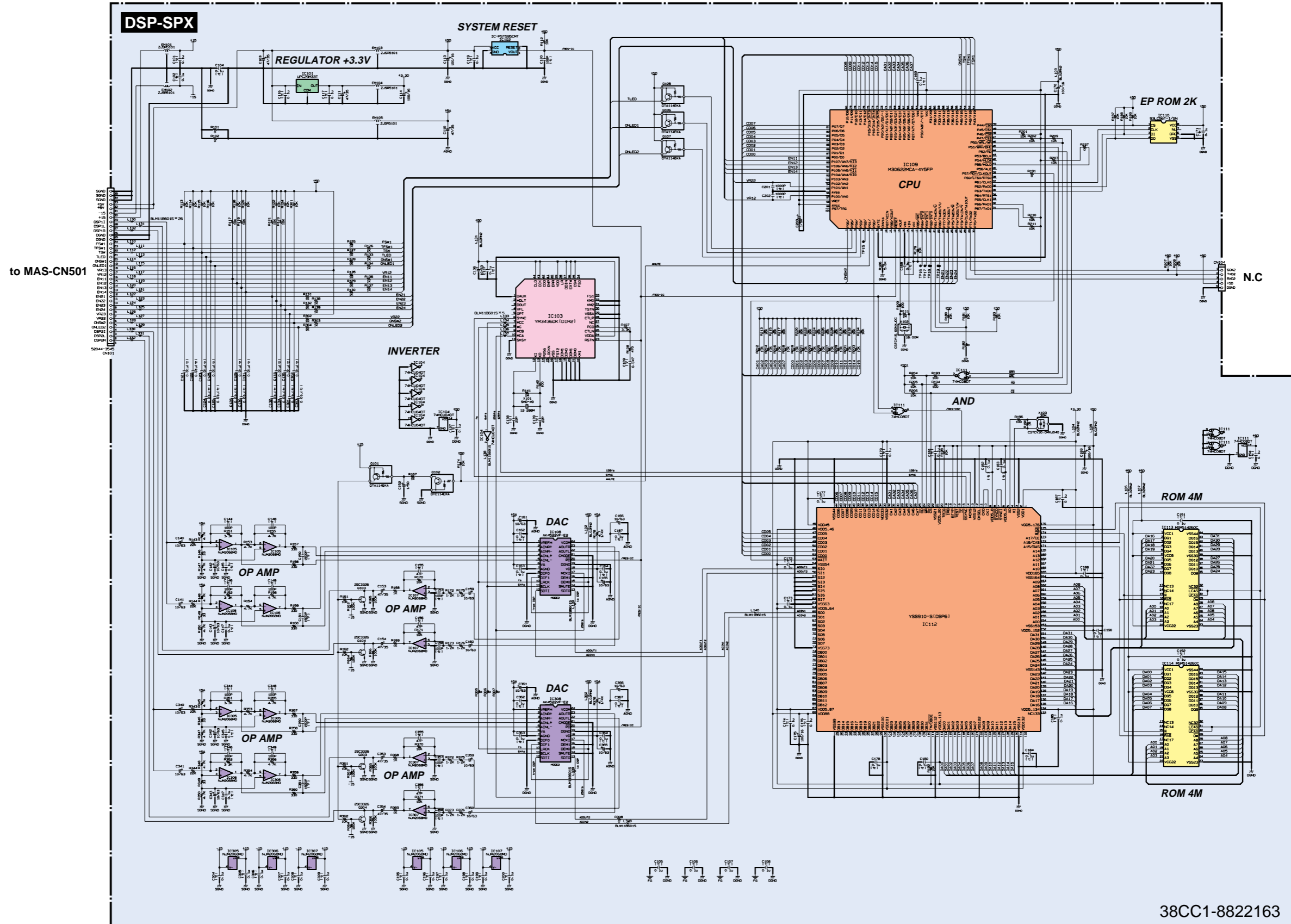
4

5

6

EMX5000-12/20 CIRCUIT DIAGRAM 7/9 (DSP-SPX)

EMX5000-12/20



EMX5000-12/20

EMX5000-12/20

C7

1

2

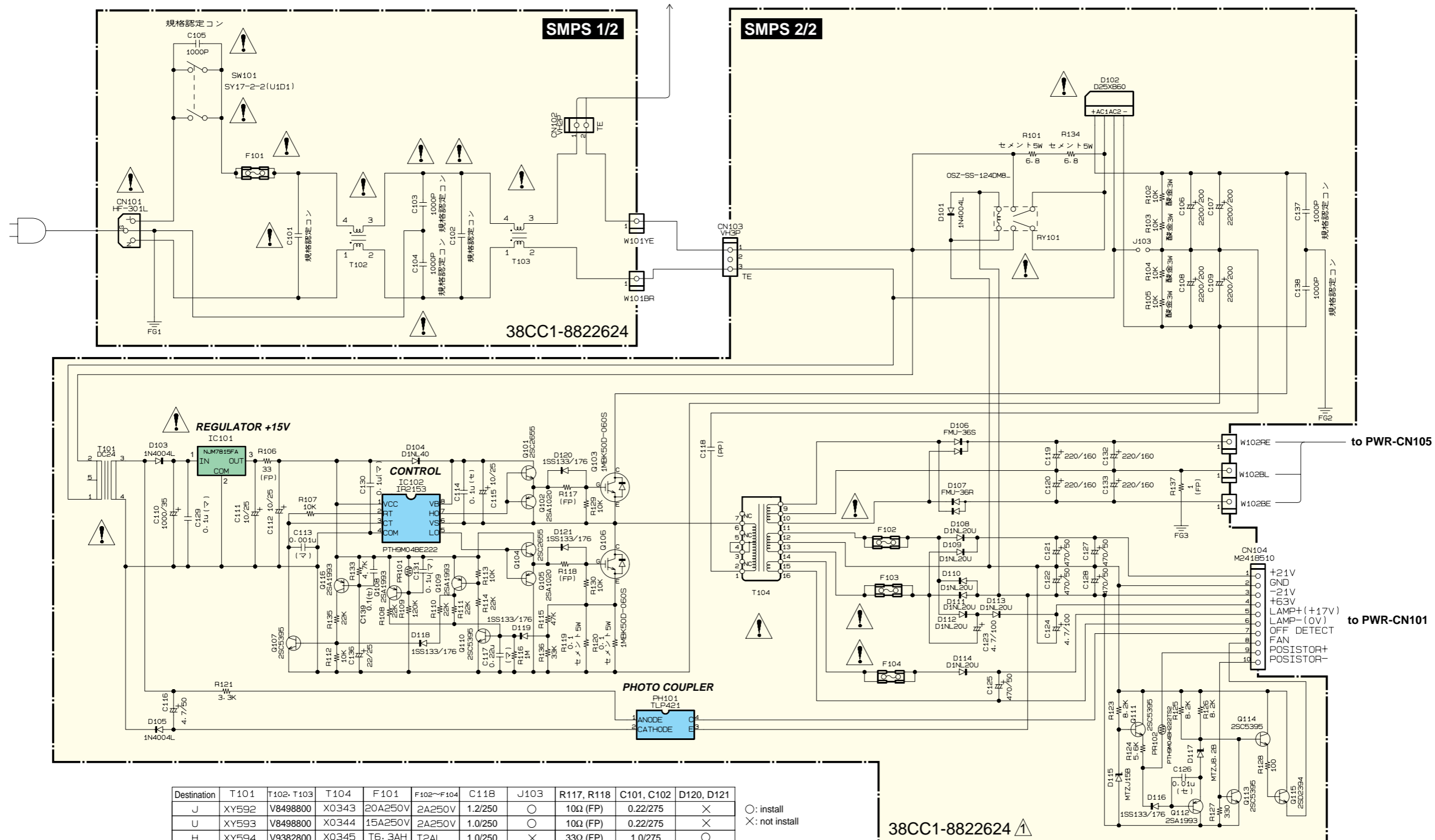
3

4

5

6

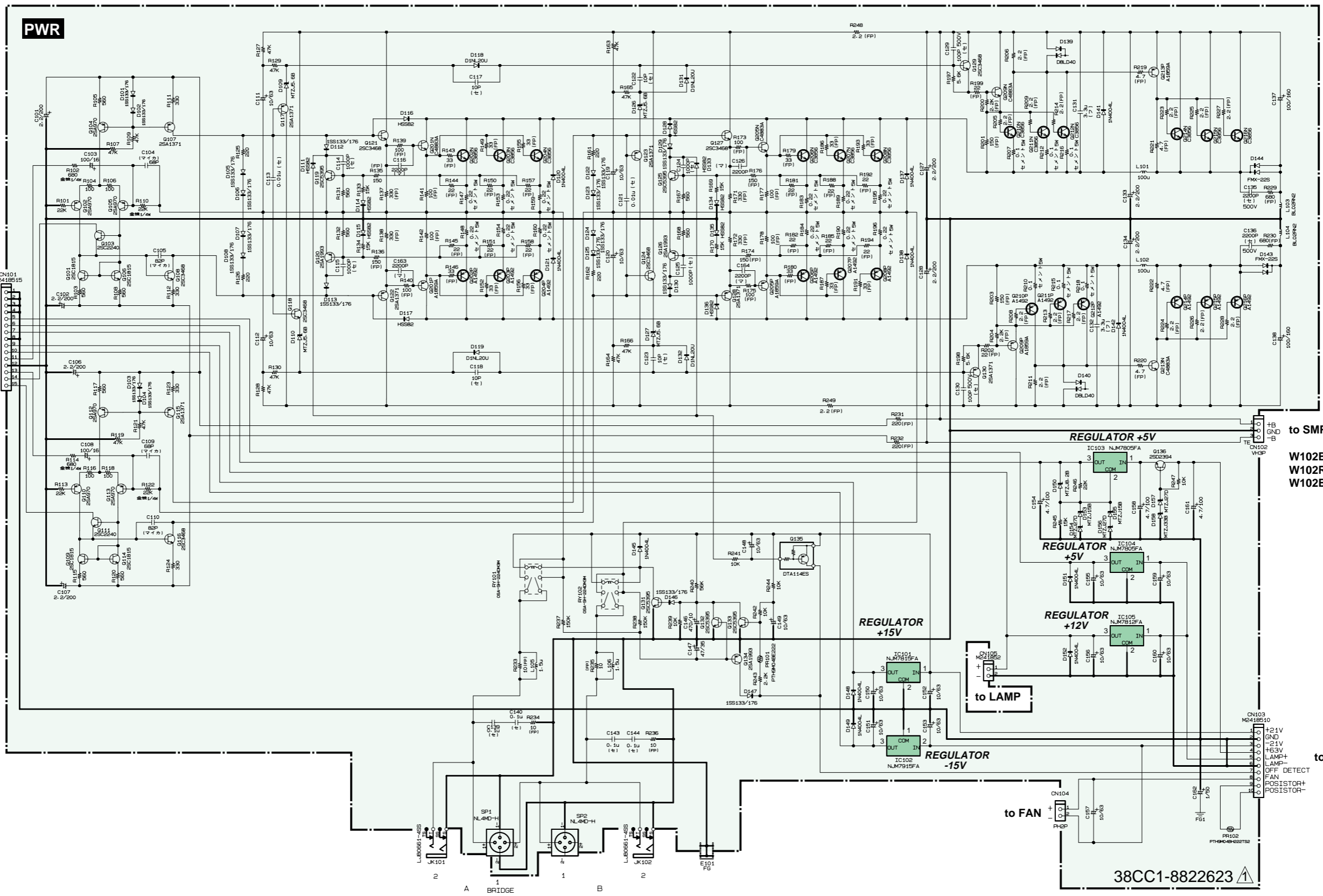
EMX5000-12/20 CIRCUIT DIAGRAM 8/9 (SMPS 1/2, SMPS 2/2)



! 印 : Special characteristic

EMX5000-12/20 CIRCUIT DIAGRAM 9/9 (PWR)

EMX5000-12/20



to MAS-CN601

to SMPS 2/2-

W102BL
W102RE
W102BE

to LAMP

to FAN

to SMPS 2/2-CN104

EMX5000-12/20

EMX5000-12/20

C9